

CZ: Návod pro montáž a údržbu

DAN: Brugsanvisning

DEU: Bedienungsanleitung

ESP: Manual de uso

FRA: Notice de montage et de maintenance

GB: Assembly and maintenance manual

GRE: ΟΔΗΓΙΕΣ ΓΙΑ ΤΗ ΣΥΝΑΡΜΟΛΟΓΗΣΗ ΚΑΙ ΤΗ ΣΥΝΤΗΡΗΣΗ

H: Kezelési és karbantartási útmutató

LT: naudojimo instrukcija

NER: Gebruiksaanwijzing

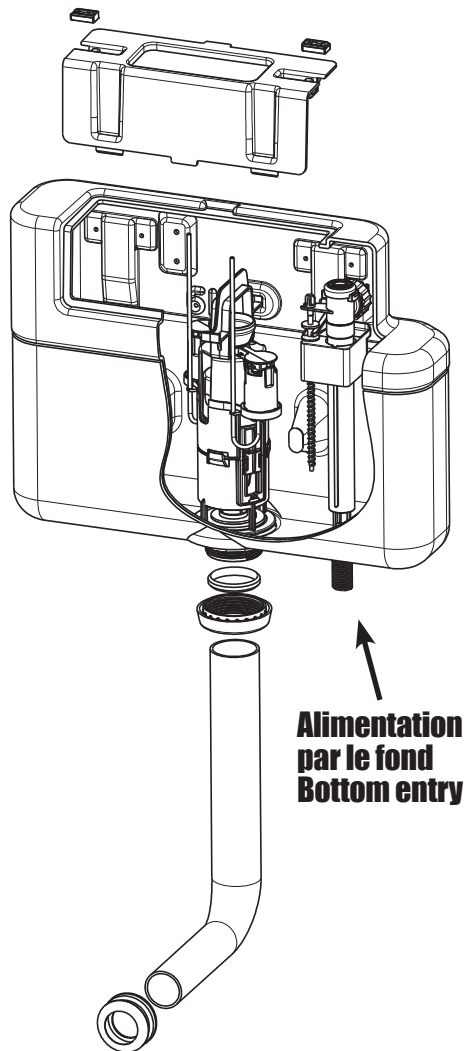
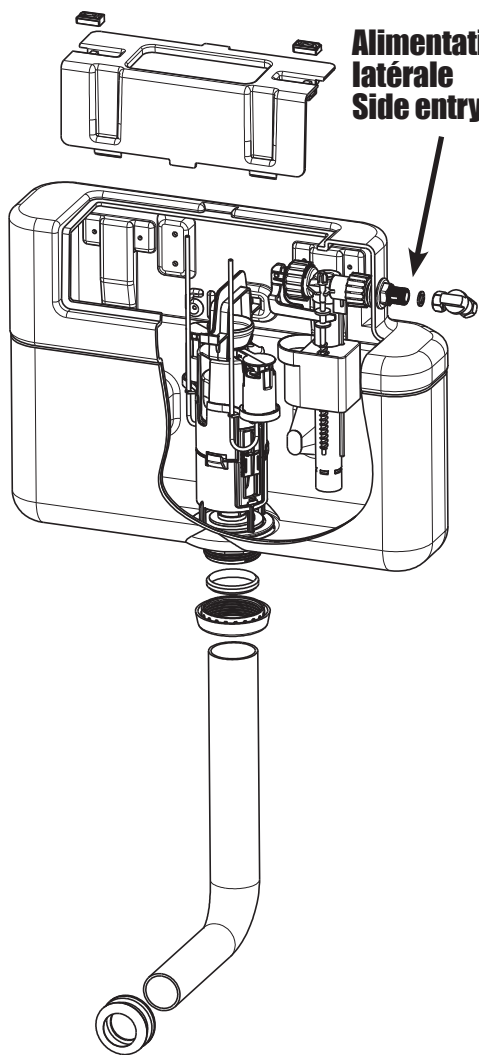
NOR: Bruksanvisning

PL: Instrukcja montażu i konserwacji

ROM: Mod de folosire

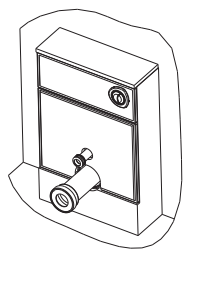
RUS: ИНСТРУКЦИИ ПО УСТАНОВКЕ И ТЕХНИЧЕСКОМУ ОБСЛУЖИВАНИЮ

SK: Návod na montáž a údržbu

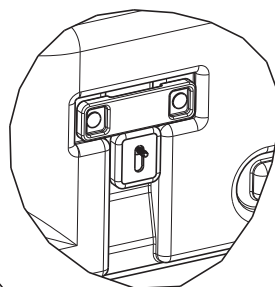
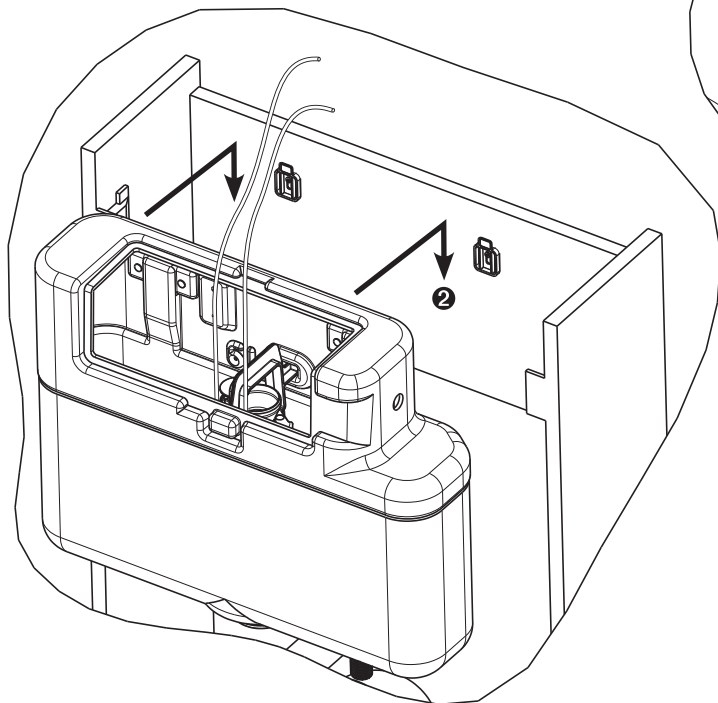
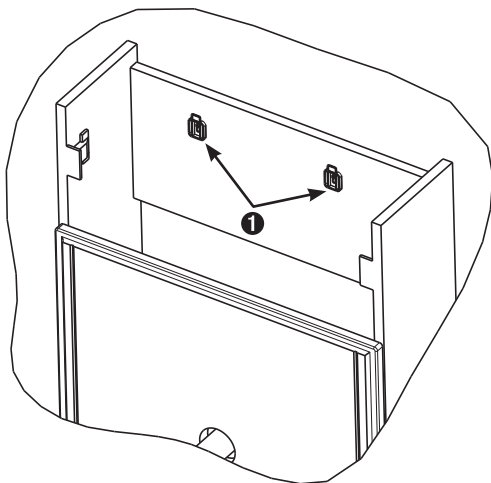


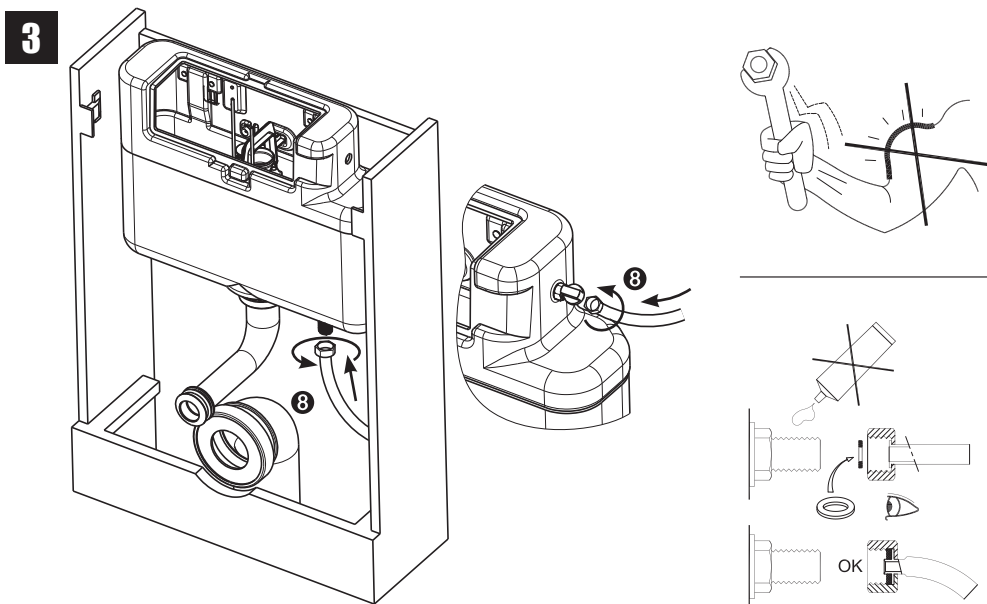
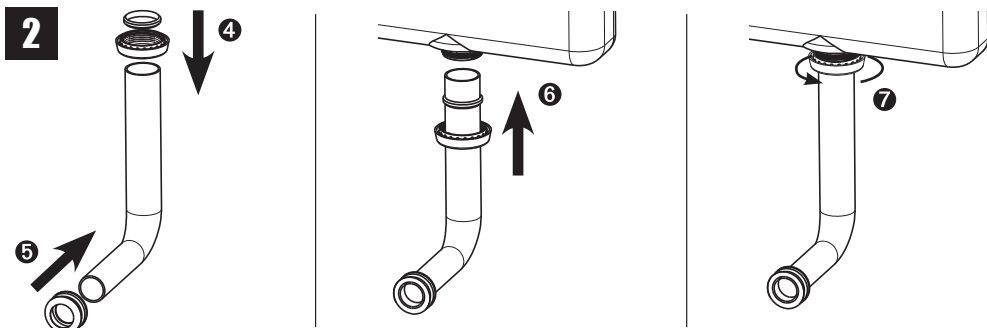
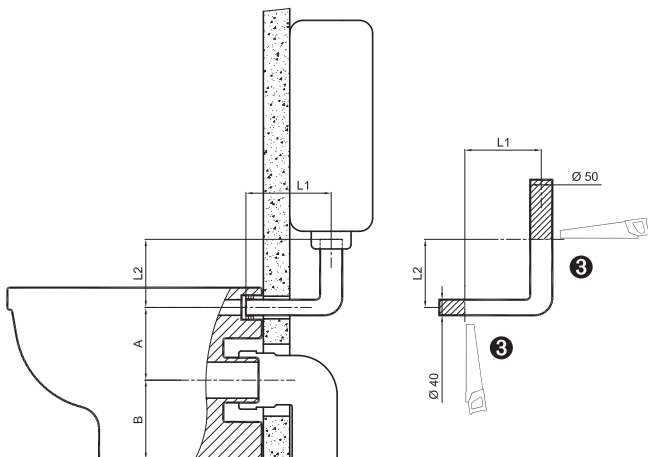
△ En présence d'une eau d'une dureté > à 30°f, traiter périodiquement le réservoir contre le calcaire.

△ In a hard water > in 30°f, treat the cistern against the limescale periodically.

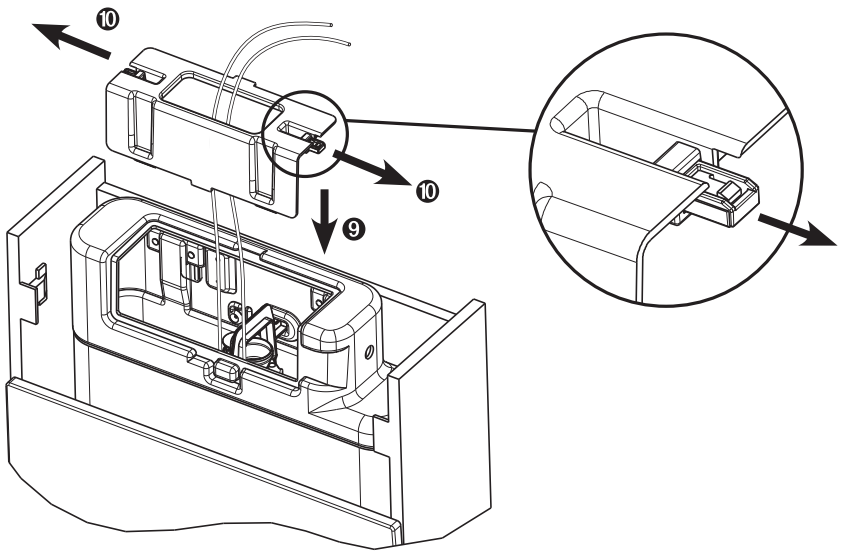


1

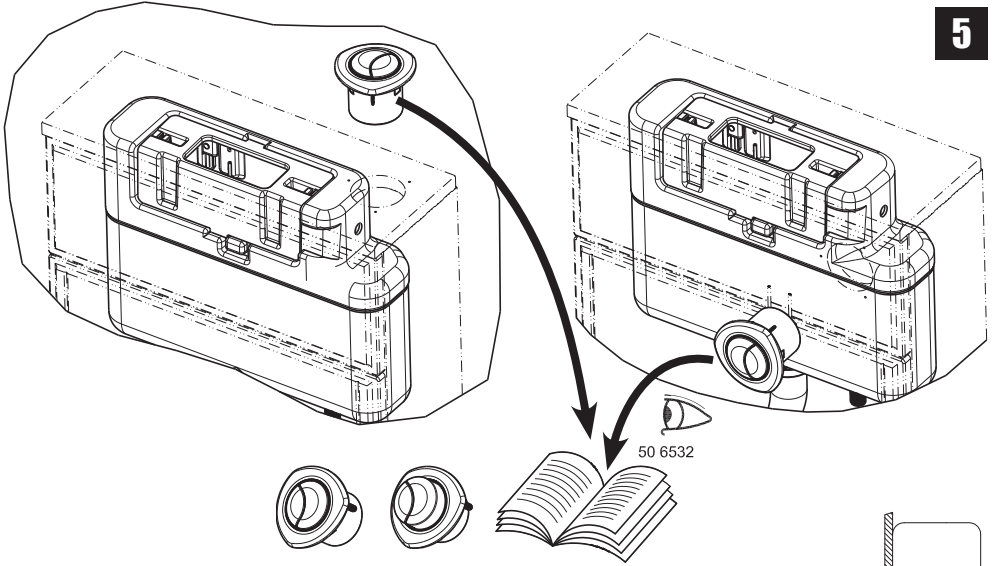




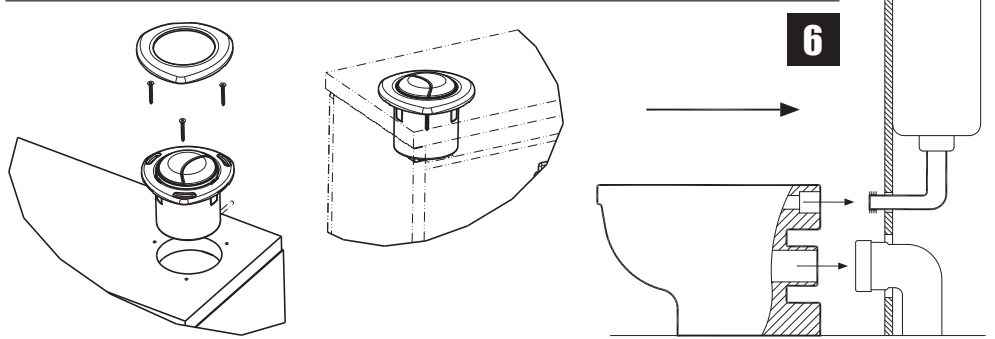
4

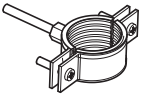
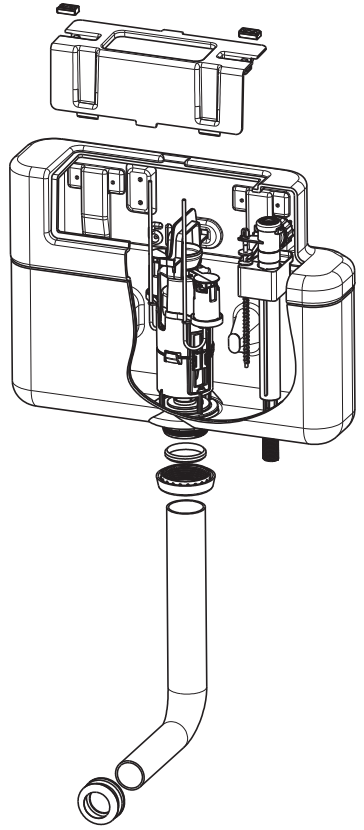
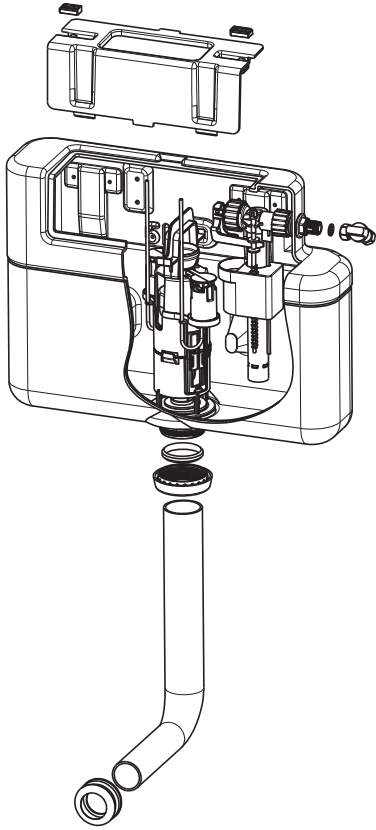
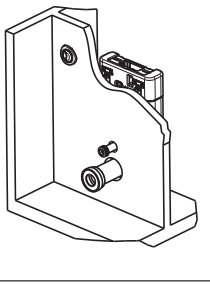


5



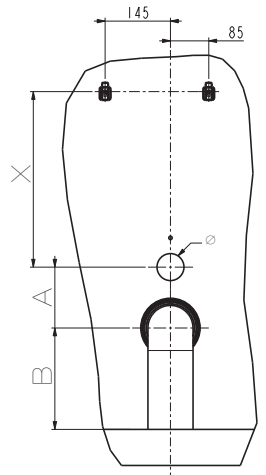
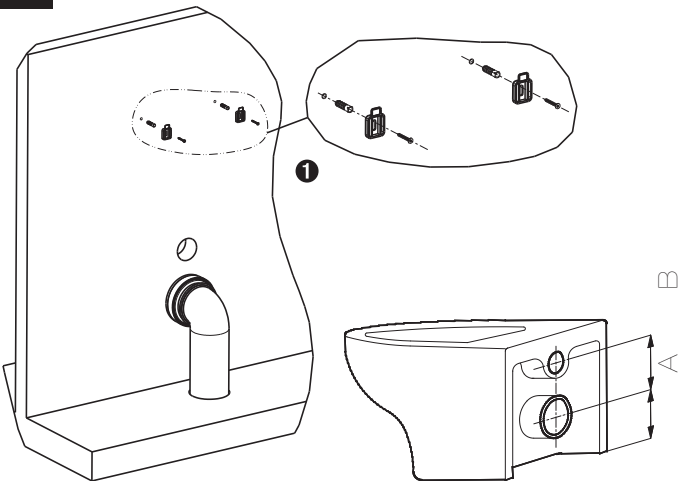
6

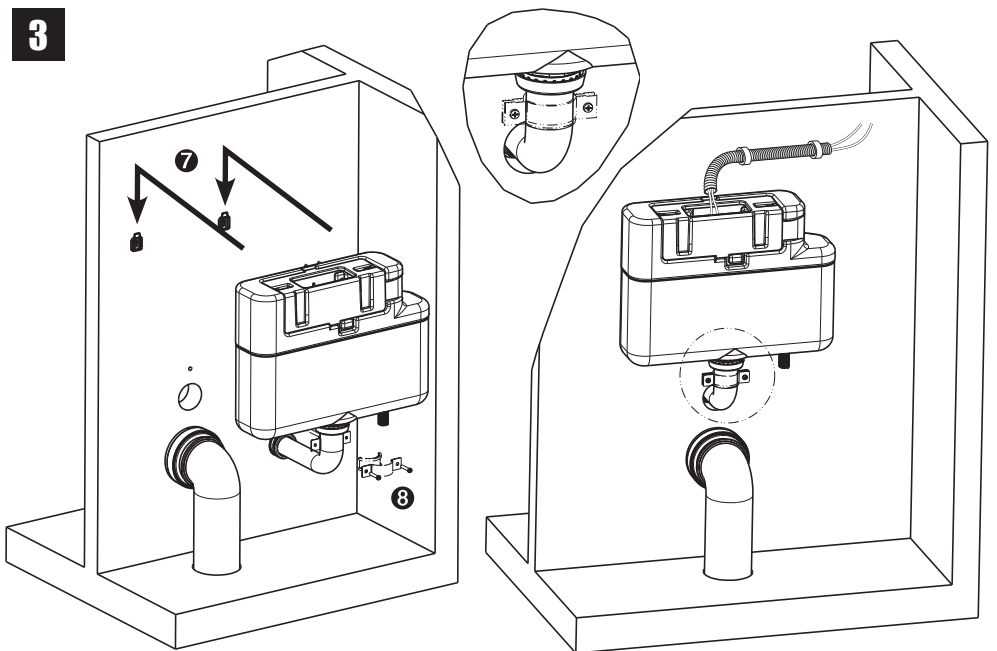
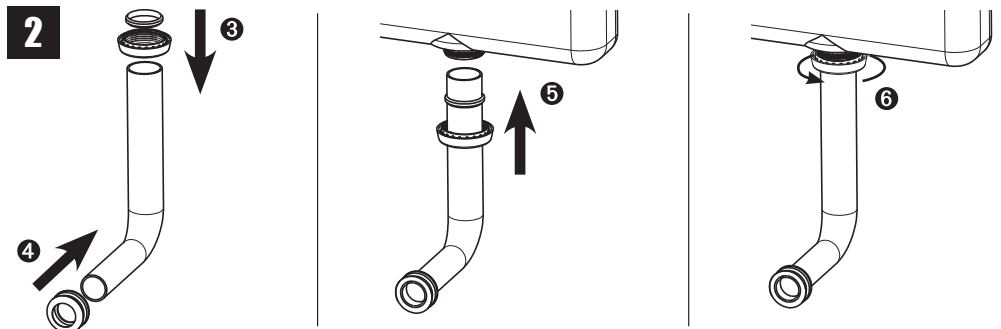
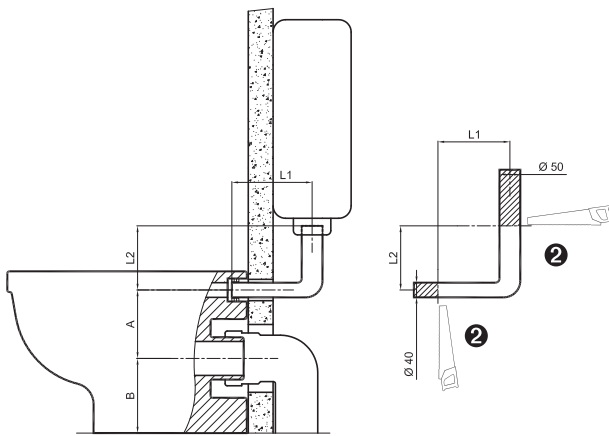


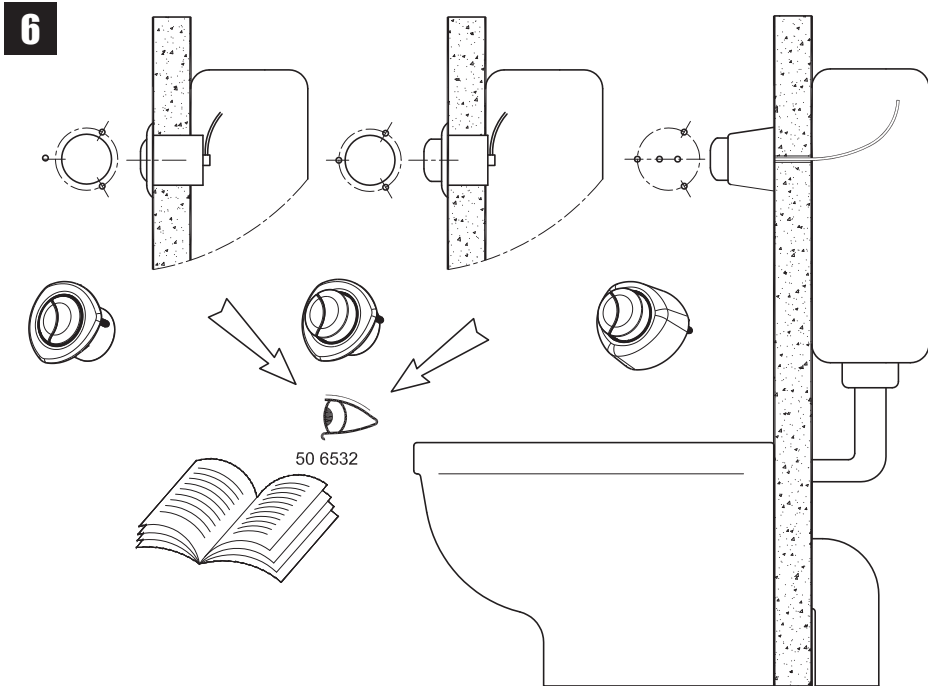
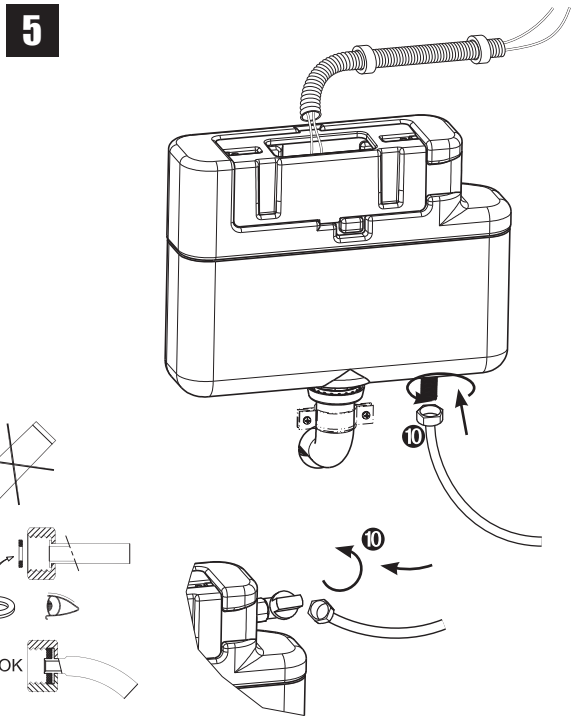
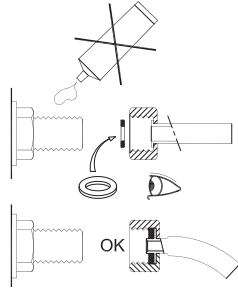
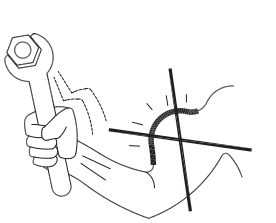
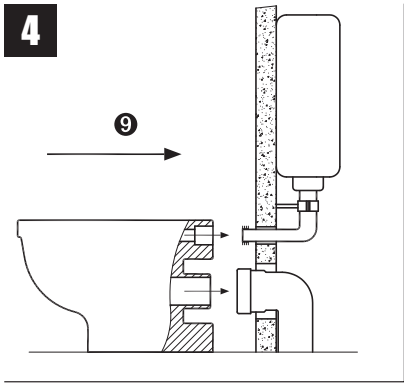


non compris
not included

1







You have just installed a concealed cistern for furniture and back to wall DUAL FLOW by SIAMP and we would like to thank you for your confidence in our products.

As expert in technical equipment and accessories for the toilet, SIAMP has taken every possible measure to apply all the necessary care to the design and production of this product, offering a ten-year guarantee except for rubber parts and manpower.

For any complementary information, or indicated claim, please contact :

Siamp UK

**Siamp Ltd , Unit C2 , Meadowbank Business Park
Tweedale Way , Hollinwood , Oldham , Greater Manchester , OL9 8EH
Telephone : 0161 681 2120 / Fax : 0161 681 2130
info@siamp.co.uk / www.siamp.co.uk**