



**Do not use any
sealing paste**

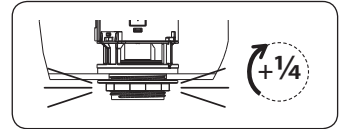
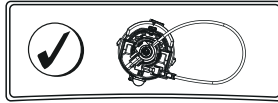
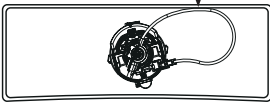
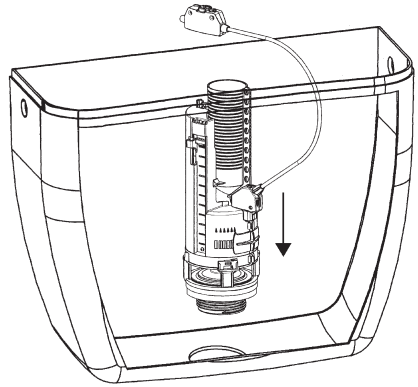


I - INSTALLATION

Position the mechanism in the cistern and secure it in place with the nut (g)

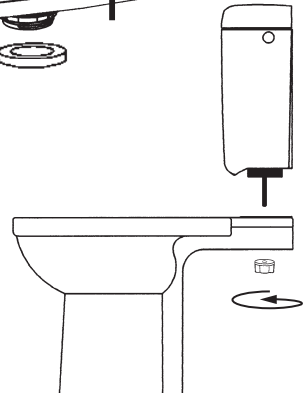
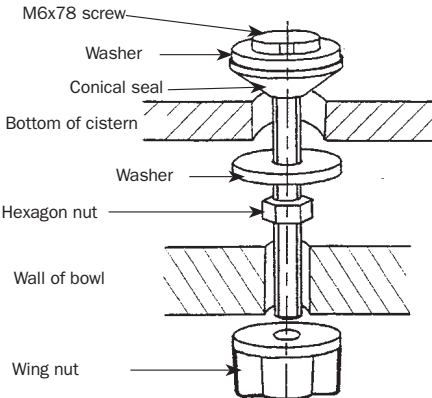
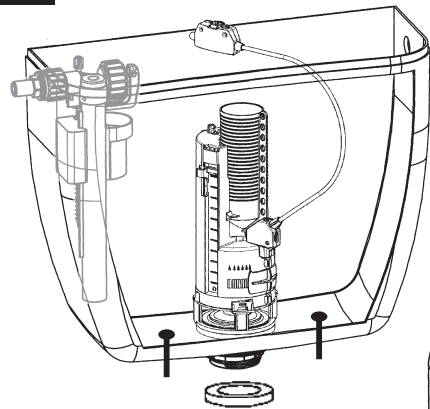
Manually screw the flush valve nut (g) until it is in contact with the ceramic.
If necessary give an extra quarter turn (maximum) with the appropriate spanner.

NB : Excessive tightening can damage the mechanism and would not be covered by the guarantee.



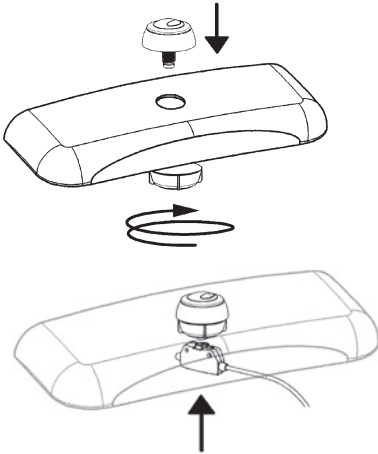
II - ASSEMBLING BOWL AND CISTERN

- ❶ Fix screws at the bottom of the cistern (see order of parts below)
- ❷ Position the latex foam gasket on the nut (g)
- ❸ Position the cistern on the bowl and secure it with wing nuts



III - INSTALLATION OF BUTTON

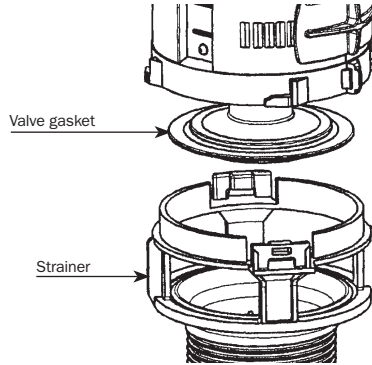
- ❶ Once the set-up has been completed, place button (a) on lid and screw button nut (c), (if the hole in the lid (D) is > 38 mm and < 45 mm, remove the escutcheon (b))
- ❷ Clip cable case
- ❸ Place lid back on top of cistern



IV - MAINTENANCE

Changing the valve gasket

- ❶ After having opened the cistern, turn the mechanism 90° to separate it from its strainer
- ❷ Change the valve gasket
- ❸ Reposition the mechanism, locking it into the strainer
- ❹ Close the cistern again.

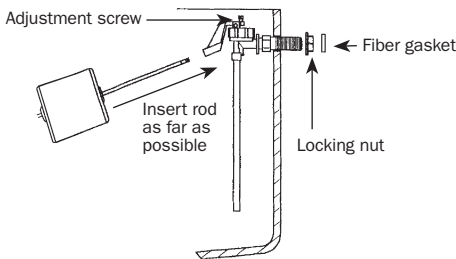


INSTALLING THE FLOAT VALVE

For 99B and 95L inlets, an approved single check valve or some other no less effective backflow prevention device shall be fitted at the point of connection(s) between the supply and the fitting.

ROBECO 06 and STANDARD 15EL

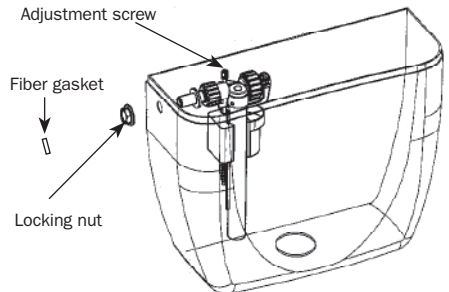
- ❶ Position valve
- ❷ Fasten with nut
- ❸ Connect to water supply
- ❹ Adjust water level with the adjustment screw (15 EL) or by bending the rod (06)



Manually screw the backnut until it is in contact with the ceramic. If necessary give an extra quarter turn (maximum).
 N.B.: Excessive tightening can damage the mechanism and would not be covered by the guarantee.
 Ensure tightness of connection to cistern with filter gasket.

COMPACT 95L

- ❶ Position valve
- ❷ Fasten with nut
- ❸ Connect to water supply
- ❹ Adjust water level with the adjustment screw

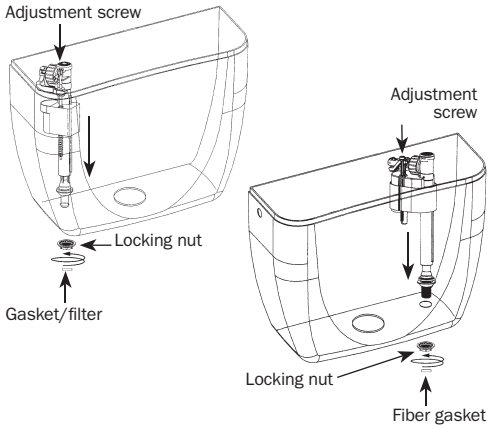


WARNINGS:

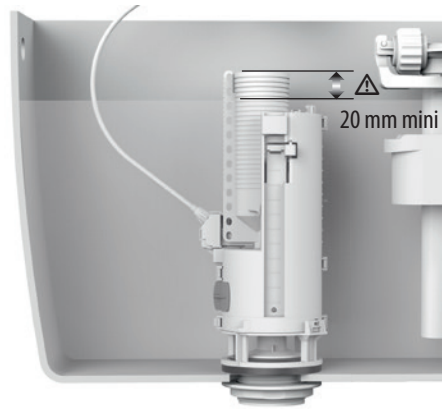
- 1 - Do not overtighten in any case.
- 2 - Do not use any sealing paste and/or compound in any case

SIAMP will be not responsible in case these warnings are not respected.

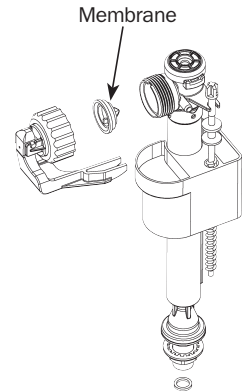
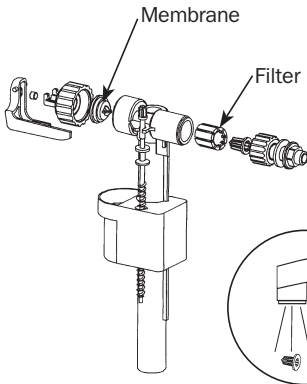
COMPACT 99B and HANDY 93B



When adjusting water level, make sure the overflow sticks out by a minimum of 20mm



MAINTENANCE (95L & 99B)



SIAMP

Siamp Monaco : 4, quai Antoine 1^{er} - BP 219 - MC 98007 MONACO Cedex
Fax : 00 377 92 05 71 04 - E-mail: contact@siamp.com - Web : www.siamp.com

Siamp Ltd, Unit C2, Meadowbank Business Park
Tweedale Way, Hollinwood, Oldham, Greater Manchester, OL9 8EH
Tel : 0161 681 2120 - Fax : 0161 681 2130
Email : aftersales@siamp.co.uk - Web : www.siamp.co.uk